

Owner's Manual

Velo™ Low Profile Airmover

Velo™ Pro Low Profile Airmover

Model F504-115V, F505-115V

DRI-EAZ PRODUCTS, INC.

15180 Josh Wilson Road, Burlington, WA 98233, USA

Phone: +1 800-932-3030 Fax: +1 360-757-7950 www.dri-eaz.com

The Velo Airmover produces a high rate of airflow to accelerate the evaporation of moisture from materials for restorative drying.

Patents: <http://www.LBpatents.com>

READ AND SAVE THESE INSTRUCTIONS



WARNING! To reduce the risk of fire or electric shock, do not use this fan with any solid-state speed control device.

WARNING! Unit must be grounded. Do not use with an extension cord. Connect only to an outlet provided with a GFCI device.

WARNING! Never operate a unit with a damaged power cord, as this may lead to electrical or fire hazards. If the supply cord is damaged, it must be replaced by the manufacturer, its service agent or similarly qualified persons in order to avoid a hazard.

WARNING! Do not touch grills when unit is operating.

WARNING! Do not alter or modify your Velo in any way. Use only replacement parts authorized by Dri-Eaz Products, Inc. Modifications or use of unapproved parts could create a hazard and will void your warranty. Contact your authorized Dri-Eaz distributor for assistance.

NOTICE: Keep motor dry. For indoor use only.

NOTICE: Unplug when not in use or when moving unit.

NOTICE: Do not allow children to play with or around the unit. Be sure the unit is inaccessible to children when not attended.

NOTICE: Always operate the unit on a stable, level surface so it cannot fall and cause damage or injury.

PRODUCT FEATURES

	Velo (F504)	Velo Pro (F505)
Operating speed(s)	1	Variable
Operating positions	4	5 (with stand)
Fold-out stand		•
Carry handle	•	•
Stackable for storage	•	•

BEFORE YOU BEGIN

Warranty registration

Please visit warranty.drieaz.com to register your purchase. Registration allows us to better assist you with using, maintaining or servicing your equipment and to contact you in case we have important safety information concerning your Dri-Eaz product. If you determine service is required, have your equipment model, serial number and original proof of purchase available and call your distributor for assistance with obtaining a return material authorization (RMA).

OPERATING INSTRUCTIONS

Note that the Velo can be placed in a variety of positions for drying and air circulation. See Fig. B for details.

1. Unwrap the cord and plug the unit into a standard 115V GFCI-protected outlet. CAUTION: Be sure switch is in the off position before connecting unit to power outlet.
2. Aim the Velo outlet toward the surface to be dried.

Fig. A: Parts Identification

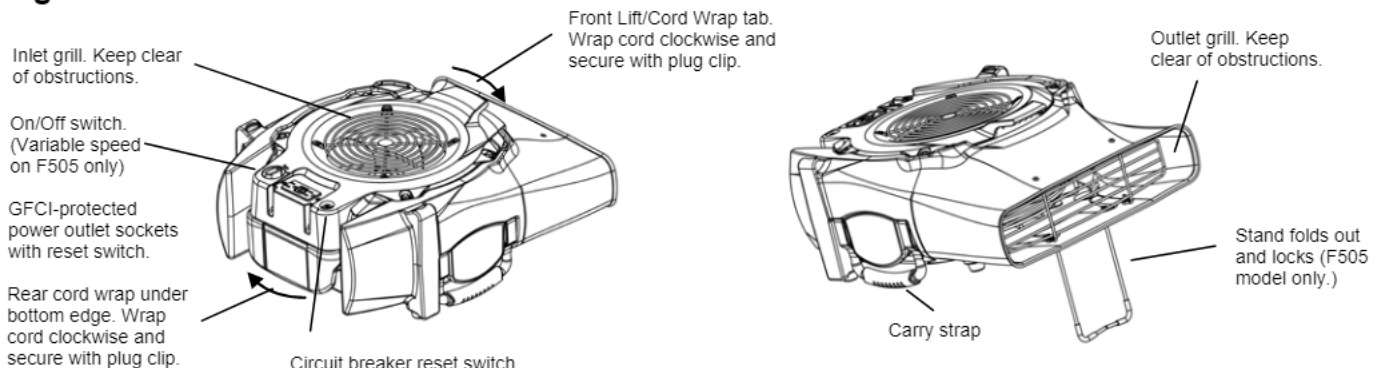
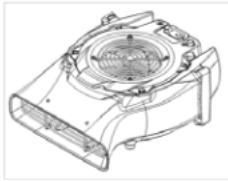
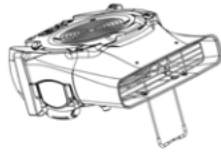


Fig. B: Operating Positions



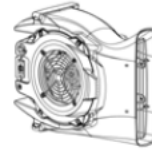
Horizontal (for horizontal surfaces)



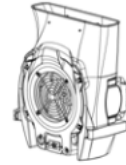
With stand (Pro model only)



Left edge (for wall drying)



Right edge (for wall drying)



Vertical (for walls and ceilings)

- When surface is dry to the touch, switch the unit off and reposition the unit in the next area to be dried.
- When finished, unplug the unit and re-wrap the cord in the cord wrap.

For additional instructions about the use of airmovers for restorative drying, visit www.DriEaz.com and www.RestorationSciencesAcademy.com.

Electrical safety devices

Circuit breaker: If the circuit breaker detects overload or short circuit conditions, the breaker will automatically shut off the electrical supply. If this should occur, check the power cable carefully for any damage and ensure it is plugged into a properly grounded outlet. Press the “Reset” button (Fig. A) to reestablish the electrical supply.

Ground Fault Circuit Interrupter: If the GFCI device detects a ground fault, it will automatically shut off the electrical supply. If this should occur, check the power cable carefully for damage and ensure it is plugged into a properly grounded outlet. Press the GFCI reset button (Fig. A) to reestablish the electrical supply.

Transport and Storage

Always use the handle to load or carry the unit.

Wrap cord in a clockwise direction under front Cord Wrap tab and rear bottom edge (Fig. A). Pull cord snug and secure with plug clip.

Units may be stacked for transport and storage.

When transporting in a vehicle, secure the unit(s) carefully to prevent sliding and damage to the unit and/or injury to vehicle occupants.

Keep unit dry. Do not expose the unit to rain or snow.

Maintenance

WARNING: Unplug unit before performing any maintenance.

Before each use

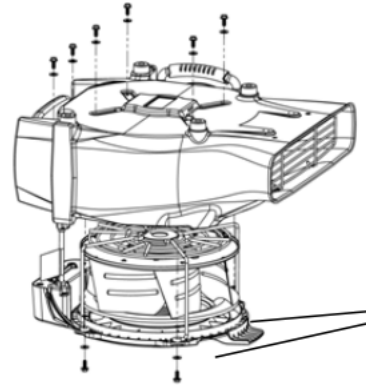
Inspect the power cord. If cord is damaged, do not use. Always grasp the plug (not the cord) to unplug.

As needed

Clean housing and impeller. If dust accumulation is visible, remove the four screws from the top, then turn the unit on its back and remove the six fasteners as shown (Fig. C). Lift off the housing. Clean impeller assembly with pressurized air and/or with a soft cloth. Do not apply liquids to the impeller assembly. The housing may be cleaned with a mild solution of detergent and warm water. Ensure housing is completely dry before reassembling.

FOR SERVICE CALL YOUR LOCAL DISTRIBUTOR or the Dri-Eaz Service Department at 800-932-3030.

Fig. C: Disassembly



To disassemble for cleaning, first remove the four screws from the impeller assembly A (shown below), then turn the unit on its back and remove the six screws from the base. Lift off the housing. Retain screws and washers for reassembly.

A. Remove impeller assembly screws (x4) first.

Warranty information is available at <http://www.dri-eaz.com>.

Be sure to visit warranty.dri-eaz.com and register your purchase. Your registration will help us provide you with updated product information as needed.

SPECIFICATIONS

Model	Velo (F504)	Velo Pro (F505)
Weight	21 lbs. 9.52 kg	21 lbs. 9.52 kg
Dimensions (D x W x H)	24 x 18 x 9 in. 61 x 45.7 x 22.9 cm	24 x 18 x 9 in. 61 x 45.7 x 22.9 cm
Amp draw	1.9 amps (115V)	1.2 – 1.9 amps (115V)
Power	185W	185W
Air movement	885 CFM	885 CFM (high) 500 CFM (low)
Sound level (avg.)	69 dB	69 dB
Control	On/Off switch	Variable speed with On/Off switch
Cord length	15 ft. 4.6 m	15 ft. 4.6 m
Fan	6 blades	6 blades
Construction	Rotomolded polyethylene and injection molded ABS housing components; steel wire inlet and outlet grills.	Rotomolded polyethylene and injection molded ABS housing components; steel wire inlet and outlet grills.

Specifications are subject to change without notice. Some values may be approximate.

